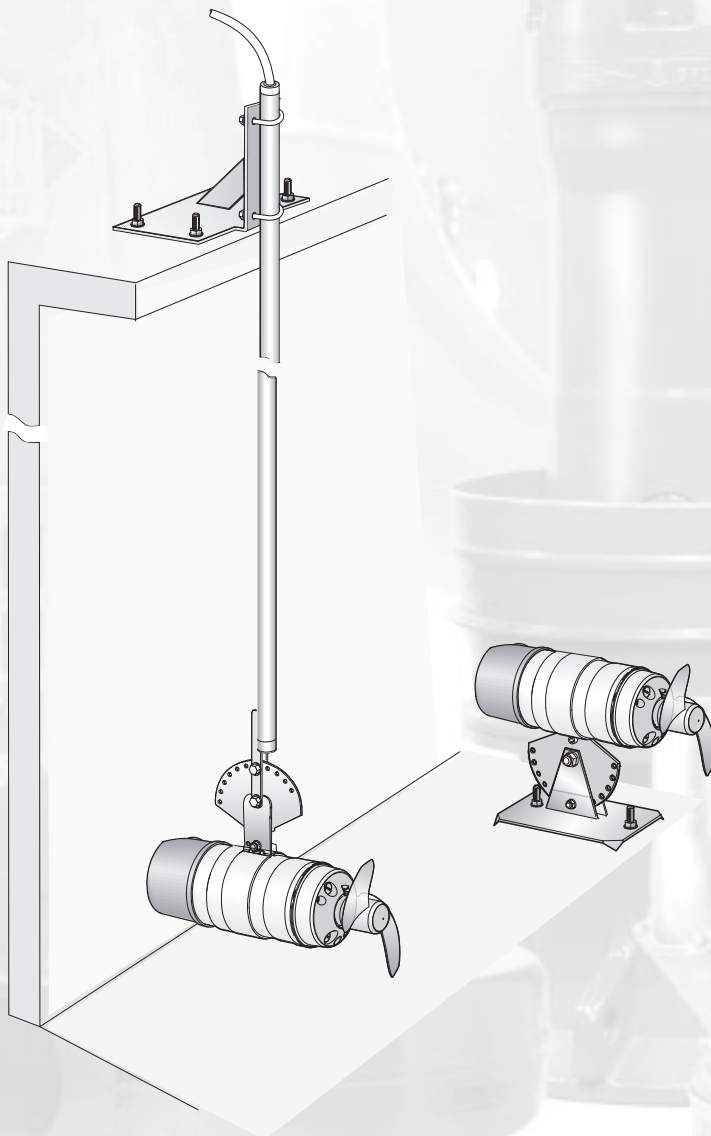




Technical Specification

Cantilever and Bottom fixing plate systems

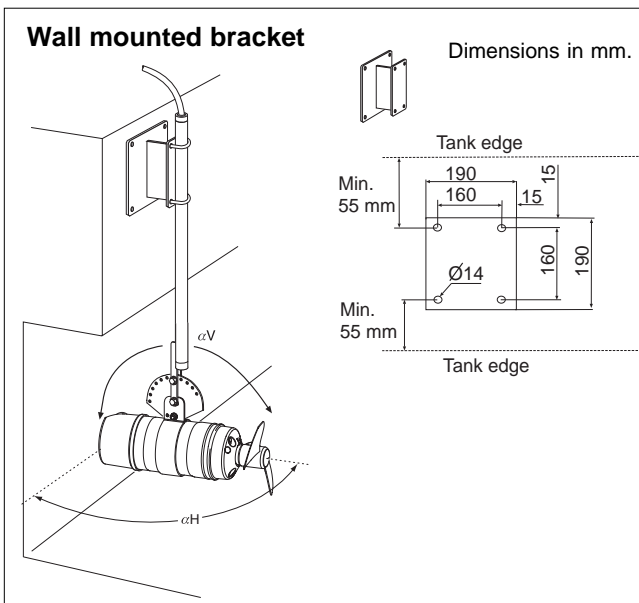
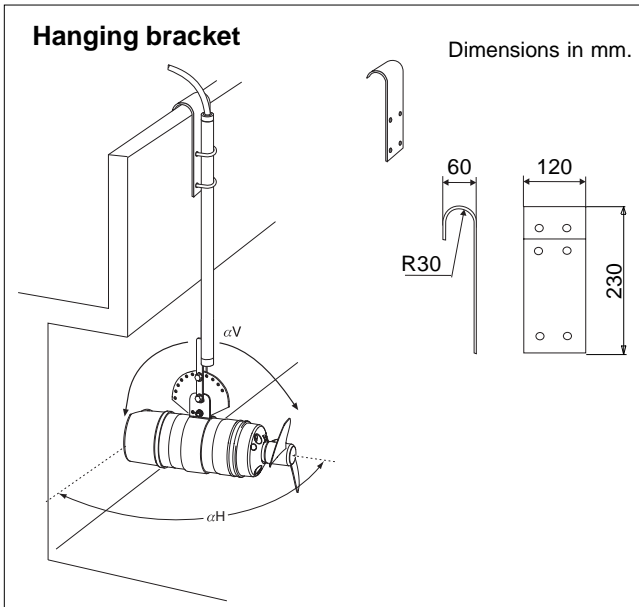
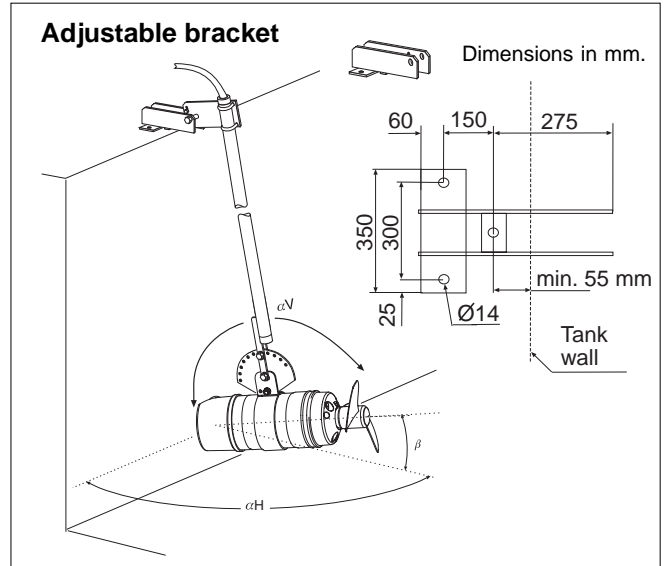
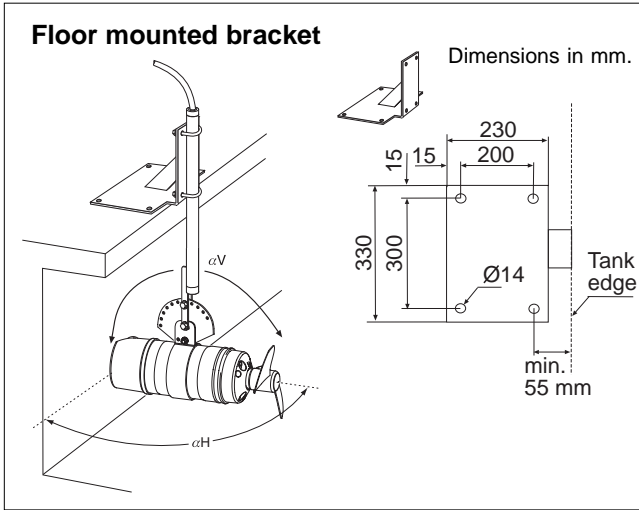


Flygt



ITT Industries

Cantilever system



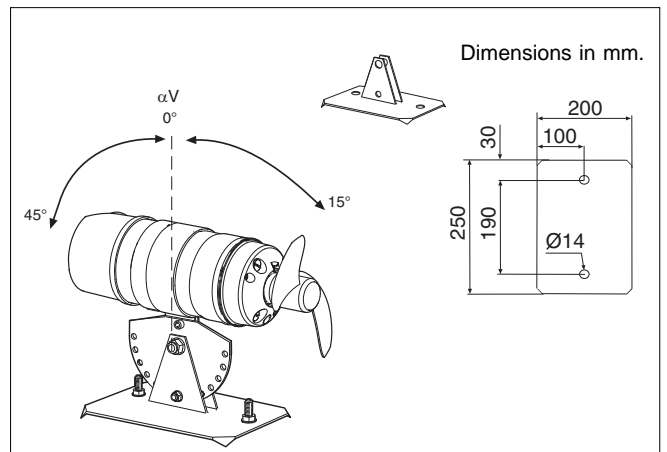
αV : angle vertical + 60°, - 45°
 αH : angle horizontal $\pm 90^\circ$
 β : angle vertical $\pm 30^\circ$

Guide bar max. length 3 m.

Materials for the Cantilever system

Denomination	EN	ASTM
High grade stainless steel	1.4432	316L
Galvanized steel, hot dip	1.0038	A 36

Bottom fixing plate system



Materials for the Bottom fixing plate system

Denomination	EN	ASTM
High grade stainless steel	1.4432	316L
Galvanized steel, hot dip	1.0038	A 36

The manufacturer reserves the right to alter performance, specification or design without notice.