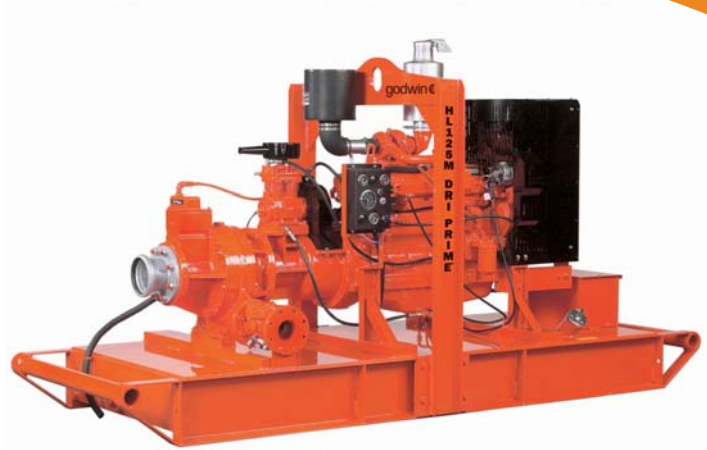


# HL125M Dri-Prime® Pump

The Godwin Dri-Prime HL125M pump offers flow rates to 1320 USGPM and has the capability of discharge pressures to 196 psi.

The HL125M is able to automatically prime to 28' of suction lift from dry. Automatic or manual starting/stopping available through integral mounted control panel or optional wireless-remote access.

High discharge pressure, dry-running, and portability make the HL125M the perfect choice for mining, industrial and emergency fire backup applications.



## Features and Benefits

- Simple maintenance normally limited to checking fluid levels and filters.
- Dri-Prime (continuously operated Venturi air ejector priming device) requiring no periodic adjustment or control. Optional automatic on-off control available on the priming system.
- Dry-running high pressure liquid bath mechanical seal with high abrasion resistant solid silicon carbide faces.
- Close-coupled centrifugal pump with Dri-Prime system coupled to a diesel engine or electric motor.
- All cast iron construction (stainless steel construction option available) with cast steel impeller.
- Also available in a critically silenced unit which reduces noise levels to less than 70dBA at 30'.
- Standard engine John Deere 6068HF285 (T3 Flex). Also available with John Deere 6068HC93 (IT4).

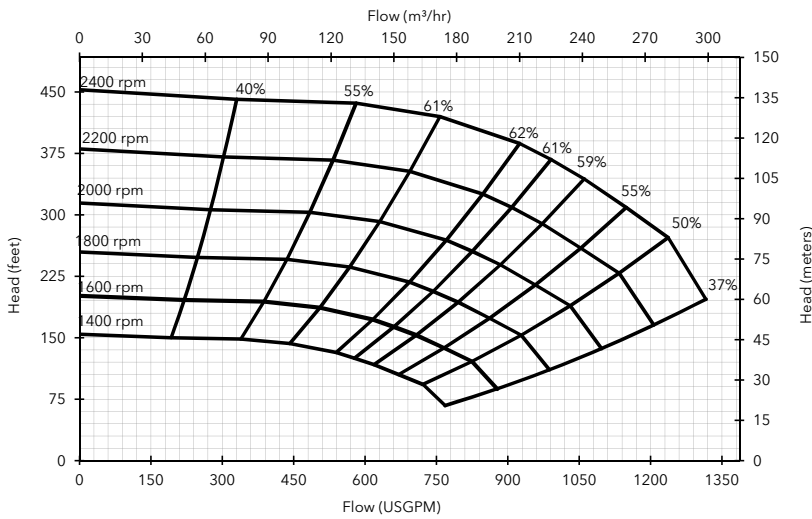
## Specifications

Suction connection	6" 150# ANSI B16.5
Delivery connection	4" 150# ANSI B16.5
Max capacity	1320 USGPM †
Max solids handling	1.4"
Max Impeller diameter	14.6"
Max operating temp	176°F*
Max working pressure	196 psi
Max suction pressure	87 psi
Max casing pressure	294 psi
Max operating speed	2400 rpm

\* Please contact our office for applications in excess of 176°F.

† Larger diameter pipes may be required for maximum flows.

## Performance Curve



### Engine option 1

John Deere 6068HF285 (T3 Flex), 156 HP @ 2400 rpm

Impeller diameter 14.6"

Pump speed 2400 rpm

#### Suction Lift Table

Total Suction Head (feet)	Total Delivery Head (feet)				
	170	241	311	359	406
	Output (USGPM)				
10	1321	1268	1136	977	793
15	1321	1268	1110	951	740
20	1036	951	793	687	581
25	761	713	634	528	317

Fuel capacity: 180 US Gal

Max Fuel consumption @ 2400 rpm: 8.7 US Gal/hr

Max Fuel consumption @ 2000 rpm: 8.0 US Gal/hr

Weight (Dry): 5,110 lbs

Weight (Wet): 6,410 lbs

Dimensions: (L) 147" x (W) 53" x (H) 84"

Performance data provided in tables is based on water tests at sea level and 20°C ambient. All information is approximate and for general guidance only. Please contact the factory or office for further details.

## Materials

Pump casing & suction cover	Cast iron BS EN 1561 - 1997
Wearplates	High Chromium Cast Iron HC403:1977 Grade FR6252
Pump Shaft	Carbon steel BS 970 - 1991 817M40T
Impeller	Cast Steel BS3100 A5 Hardness to 200 HB Brinell
Non-return valve body	Cast Iron
Mechanical seal	Silicon carbide face; Viton elastomers; Stainless steel body

### Engine option 2

John Deere 6068HC93 (IT4), 157 HP @ 2400 rpm

Impeller diameter 14.6"

Pump speed 2400 rpm

#### Suction Lift Table

Total Suction Head (feet)	Total Delivery Head (feet)				
	170	241	311	359	406
	Output (USGPM)				
10	1321	1268	1136	977	793
15	1321	1268	1110	951	740
20	1036	951	793	687	581
25	761	713	634	528	317

Fuel capacity: 180 US Gal

Max Fuel consumption @ 2400 rpm: 8.6 US Gal/hr

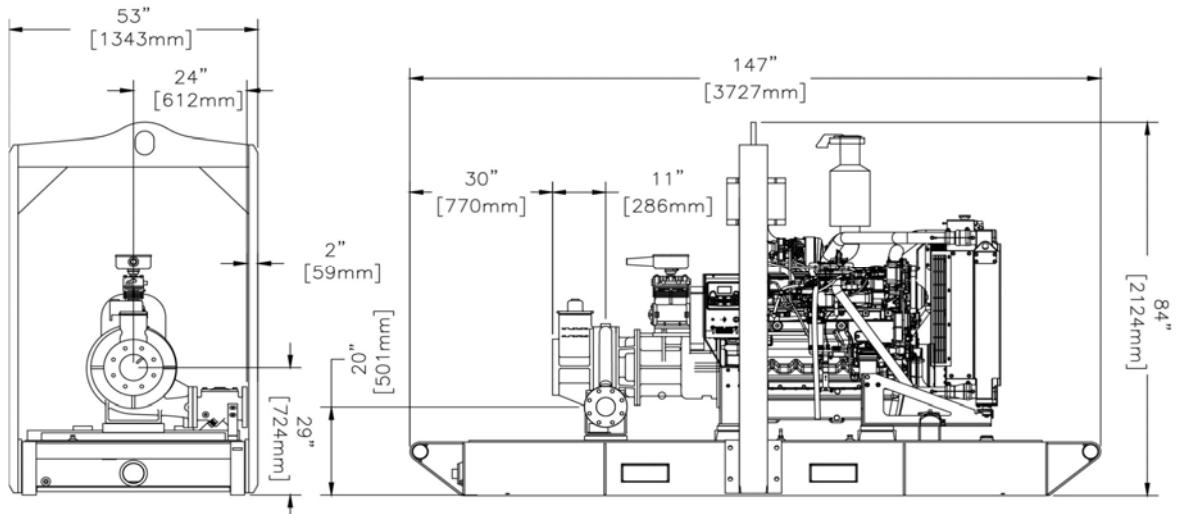
Max Fuel consumption @ 2000 rpm: 7.9 US Gal/hr

Weight (Dry): 5,770 lbs

Weight (Wet): 7,070 lbs

Dimensions: (L) 147" x (W) 53" x (H) 84"

Performance data provided in tables is based on water tests at sea level and 20°C ambient. All information is approximate and for general guidance only. Please contact the factory or office for further details.



84 Floodgate Road  
Bridgeport, NJ 08014 USA  
(856) 467-3636 . Fax (856) 467-4841  
Email: sales@godwinpumps.com

Reference number : 95-1110-3000  
Date of issue : February 26, 2014  
Issue : 3

[www.godwinpumps.com](http://www.godwinpumps.com)